



Heidelberg Column Stele Solo / Duo.



**Heidelberger Druckmaschinen AG
Electric mobility division**

Gutenbergring
69168 Wiesloch
Germany
Phone +49 6222 82-2266
wallbox@heidelberg.com
wallbox.heidelberg.com

Publishing information

Publishing 05/21
Photos: Heidelberger Druckmaschinen AG
Fonts: Heidelberg Antiqua MI and Heidelberg Gothic MI

Marks

Heidelberg, the Heidelberg logotype, Heidelberg Combox, Heidelberg Wallbox Energy Control and Heidelberg Wallbox Home Eco are registered trademarks of Heidelberger Druckmaschinen AG in the U.S. and other countries. All other trademarks are property of their respective owners.

Subject to technical modifications and other changes.

Heidelberg Column Stele Solo / Duo

The Heidelberg® columns Stele Solo and Duo are the perfect complement to the Heidelberg Wallbox. The high-quality and attractive stainless steel steles are designed for one or two wallboxes. With their rugged and clean finish, they are suitable for indoor and outdoor use and are perfectly matched to the Home Eco® and Energy Control® wallbox variants as well as the Combox®.

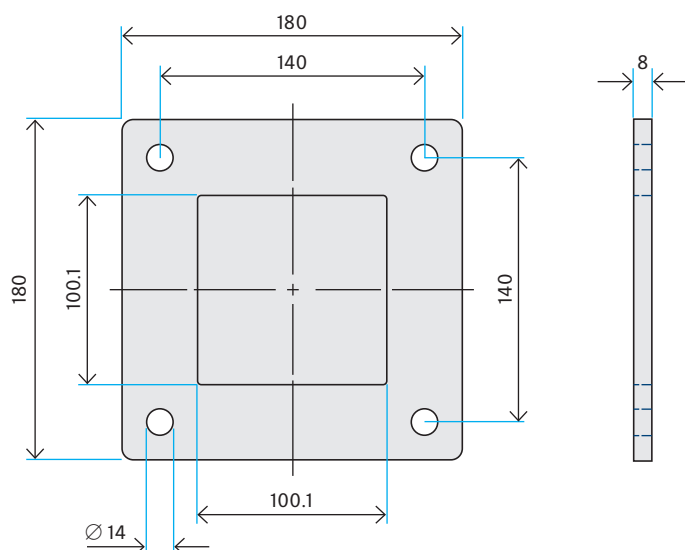


Do you have questions?
Simply use your smartphone to scan the QR code.
wallbox.heidelberg.com

The perfect complement to the wallbox.

The columns give you freedom and flexibility when it comes to installing your wallbox, and open up possibilities other than wall mounting. They are easy to install using the enclosed instructions and provide a secure and sturdy support for your wallbox over the long term – thanks to quality Made in Germany. The power cable is routed through the column, and is not visible from the outside. The Heidelberg Wallbox and the materials for anchoring the columns to a foundation are not included in the scope of delivery.

Base dimensions/drilling plan (in mm)



Heidelberg Column
Stele Solo



Heidelberg Column
Stele Duo

Technical data

	Heidelberg Column Stele Solo	Heidelberg Column Stele Duo
Item-No.	40.020.0370/01	40.020.0414
Height	1,371 mm	1,370 mm
Base plate footprint	180 mm × 180 mm	180 mm × 180 mm
Base plate hole spacing	140 mm × 140 mm	140 mm × 140 mm
Recommended thread diameter for foundation anchors	M10	M10
Stele body materials	X5CrNi18-10 (1.4301)	X5CrNi18-10 (1.4301)
Weight (without wallbox)	15.40 kg (with packaging) 12.75 kg (without packaging)	17.5 kg (with packaging) 14.4 kg (without packaging)